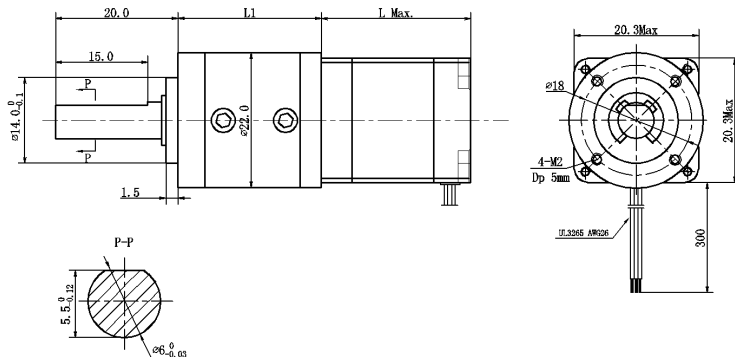


## Size 8(□20mm)行星减速箱 Round Planetary Gearbox

### 外形图 Dimensions(单位 Unit: mm)



### 特点 Feature:

体积小 small size  
低噪音 low noise  
低成本 low cost

高精度 high precise  
长寿命 long life  
防护等级 IP44

### 技术数据 Electrical Specifications:

减速比 Gear Ratio		长度 L1 Length(mm)	效率 Efficiency	额定转矩 Rated Torque	允许最大转矩 Permissible Torque (Max)	噪音 Noise (dB)	反冲 Backlash min. (分)	重量 Motor Weight(g)
1 Stage	3.71	22.4	95%	0.06N.m	0.18N.m	<40dB	≤15	35g
	5.18							
2 Stage	14	33.0	90%	0.1N.m	0.30N.m		≤25	45g
	19							
	27							

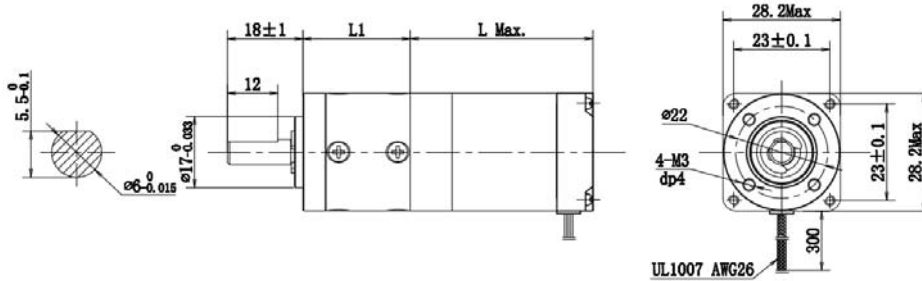
\*以上仅为代表性产品，派生产品可根据客户要求制作 \*Note: We can manufacture products according to customer's requirements.

- 运行温度范围 Operating temperature range: -20—+50℃
- 绝缘电阻 Insulation resistance: 100MΩ Min. (at DC500V)
- 绝缘强度 Dielectric strength: AC 500V (1min)
- 绝缘等级 Insulation Class: Class B(130℃)
- 允许温度上升 Permissible temperature rise: 80℃ Max. (绕组方式)

※NOTE: Do not allow the surface temperature of the motor case to rise above 90℃ during operation.

## Size 11(□28mm)行星减速箱 Round Planetary Gearbox

外形图 Dimensions(单位 Unit: mm)



### 特点 Feature:

- 体积小 small size
- 长寿命 long life
- 低成本 low cost
- 高精度 high precise
- 防护等级 IP44
- 低噪音 low noise

### 技术数据 Electrical Specifications:

减速比 Gear Ratio		长度 L1 Length(mm)	效率 Efficiency	额定转矩 Rated Torque	允许最大转矩 Permissible Torque (Max)	噪音 Noise (dB)	背隙 Backlash min. at No-load	重量 Motor Weight(g)
1 Stage	3.71	25.6	90%	0.1N.m	0.3N.m	<60dB	$\leq 1.5^\circ$	60g
	5.18							
	6.75							
2 Stage	14	34	80%	0.4N.m	1.2N.m	<60dB	$\leq 1.5^\circ$	85g
	19							
	27							
	35							
	45							
3 Stage	51	42	73%	0.8N.m	2.5N.m	<60dB	$\leq 1.5^\circ$	106g
	71							
	100							
	139							
	181							
	236							
	307							

\*以上仅为代表性产品，派生产品可根据客户要求制作 \*Note: We can manufacture products according to customer's requirements.

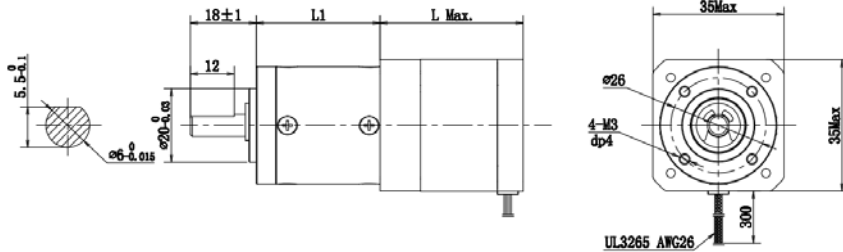
- 运行温度范围 Operating temperature range:  $-20 \sim +50^\circ\text{C}$
- 绝缘电阻 Insulation resistance:  $100\text{M}\Omega$  Min. (at DC500V)
- 绝缘强度 Dielectric strength: AC 500V (1min)
- 绝缘等级 Insulation Class: Class B( $130^\circ\text{C}$ )
- 允许温度上升 Permissible temperature rise:  $80^\circ\text{C}$  Max. (绕组方式)

※NOTE: Do not allow the surface temperature of the motor case to rise above  $90^\circ\text{C}$  during operation

MotionKing (China) Motor Industry Co., Ltd.

## Size 13(□32mm)行星减速箱 Round Planetary Gearbox

外形图 Dimensions(单位 Unit: mm)



## 特点 Feature:

- |                |                  |
|----------------|------------------|
| 体积小 small size | 长寿命 long life    |
| 低成本 low cost   | 高精度 high precise |
| 防护等级 IP44      | 低噪音 low noise    |

## 技术数据 Electrical Specifications:

减速比 Gear Ratio		长度 L1 Length(mm)	效率 Efficiency	额定转矩 Rated Torque	允许最大转矩 Permissible Torque(Max)	噪音 Noise (dB)	背隙 Backlash min. at No-load	重量 Motor Weight(g)
1 Stage	3.71	25.6	90%	0.3N.m	1N.m	<60dB	≤1.5°	103g
	5.18							
	6.75							
2 Stage	14	34	80%	1.2N.m	3.5N.m	<60dB	≤1.5°	135g
	19							
	27							
	35							
	45							
3 Stage	51	42	73%	2.5N.m	7.5N.m	<60dB	≤1.5°	150g
	71							
	100							
	139							
	181							
	236							
	307							

\*以上仅为代表性产品，派生产品可根据客户要求制作 \*Note: We can manufacture products according to customer's requirements.

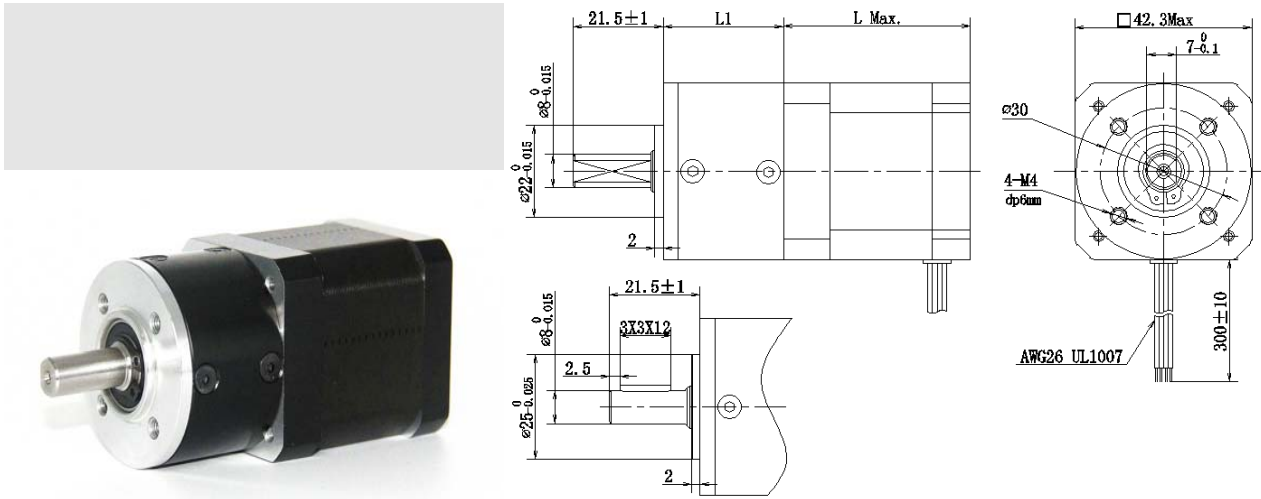
- 运行温度范围 Operating temperature range: -20—+50℃
- 绝缘电阻 Insulation resistance: 100MΩ Min. (at DC500V)
- 绝缘强度 Dielectric strength: AC 500V (1min)
- 绝缘等级 Insulation Class: Class B(130℃)
- 允许温度上升 Permissible temperature rise: 80℃ Max. (绕组方式)

※NOTE: Do not allow the surface temperature of the motor case to rise above 90℃ during operation.

MotionKing (China) Motor Industry Co., Ltd.

## Size 17(□42mm)行星减速箱 Round Planetary Gearbox

外形图 Dimensions(单位 Unit: mm)



### 特点 Feature:

- 体积小 small size
- 长寿命 long life
- 低成本 low cost
- 高精度 high precise
- 防护等级 IP44/IP65
- 低噪音 low noise

### 技术数据 Electrical Specifications:

减速比 Gear Ratio		长度 L1 Length(mm)	效率 Efficiency	额定转矩 Rated Torque	允许最大转矩 Permissible Torque (Max)	噪音 Noise (dB)	背隙 Backlash min. at No-load	重量 Motor Weight(g)
1 Stage	5	28.5	90%	3N. m	6N. m		≤35arcmin	410
	10							
2 Stage	20	38	80%	9N. m	18N. m		≤55arcmin	440g
	25							
	40							
	50							
	100							

\*以上仅为代表性产品，派生产品可根据客户要求制作 \*Note: We can manufacture products according to customer's requirements.

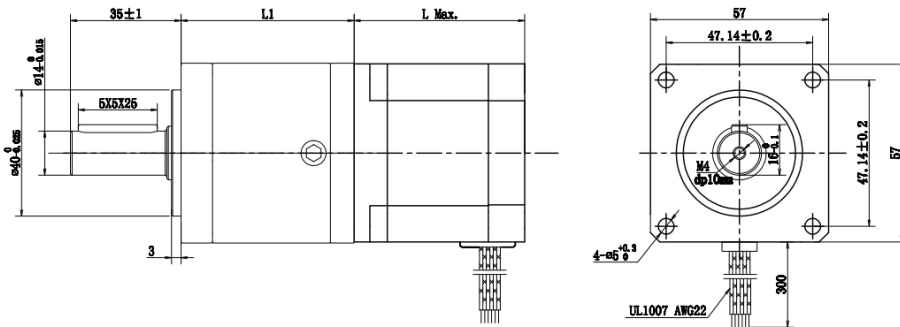
- 运行温度范围 Operating temperature range: -20—+50℃
- 绝缘电阻 Insulation resistance: 100MΩ Min. (at DC500V)
- 绝缘强度 Dielectric strength: AC 500V (1min)
- 绝缘等级 Insulation Class: Class B(130℃)
- 允许温度上升 Permissible temperature rise: 80℃ Max. (绕组方式)

※NOTE: Do not allow the surface temperature of the motor case to rise above 90℃ during operation.

MotionKing (China) Motor Industry Co., Ltd.

## Size 23(□57mm)行星减速箱 Square Planetary Gearbox

外形图 Dimensions(单位 Unit: mm)



### 特点 Feature:

- 体积小 small size
- 长寿命 long life
- 低成本 low cost
- 高精度 high precise
- 防护等级 IP44/IP65
- 低噪音 low noise

### 技术数据 Electrical Specifications:

减速比 Gear Ratio		长度 L1 Length(mm)	效率 Efficiency	额定转矩 Rated Torque	允许最大转矩 Permissible Torque (Max)	噪音 Noise (dB)	背隙 Backlash min. at No-load	重量 Motor Weight(g)
1 Stage	5	55	95%	25N. m	45N. m	<60dB	≤15arcmin	500-700g
	10							
2 Stage	15	71	90%	40N. m	60N. m	<60dB	≤25arcmin	800-960g
	20							
	25							
	30							
	40							
50								

\*以上仅为代表性产品，派生产品可根据客户要求制作 \*Note: We can manufacture products according to customer's requirements.

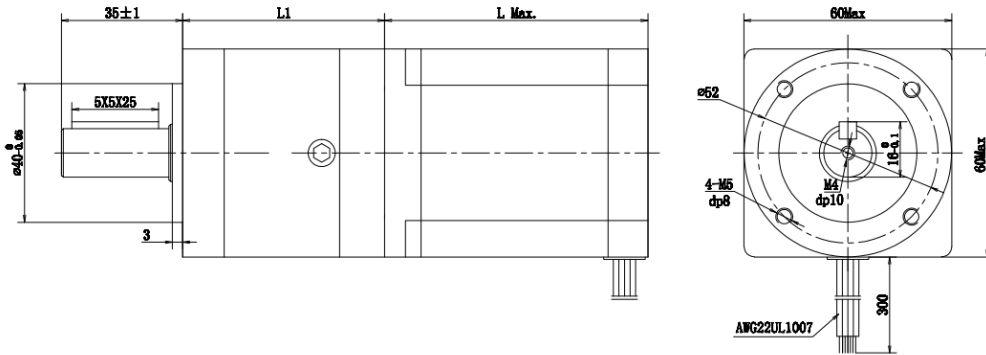
- 运行温度范围 Operating temperature range: -20—+50℃
- 绝缘电阻 Insulation resistance: 100MΩ Min. (at DC500V)
- 绝缘强度 Dielectric strength: AC 500V (1min)
- 绝缘等级 Insulation Class: Class B(130℃)
- 允许温度上升 Permissible temperature rise: 80℃ Max. (绕组方式)

※NOTE: Do not allow the surface temperature of the motor case to rise above 90℃ during operation.

MotionKing (China) Motor Industry Co., Ltd.

## Size 24(□60mm)行星减速箱 Round Planetary Gearbox

外形图 Dimensions(单位 Unit: mm)



### 特点 Feature:

- 体积小 small size
- 长寿命 long life
- 低成本 low cost
- 高精度 high precise
- 防护等级 IP44/IP65
- 低噪音 low noise

### 技术数据 Electrical Specifications:

减速比 Gear Ratio		长度 L1 Length(mm)	效率 Efficiency	额定转矩 Rated Torque	允许最大转矩 Permissible Torque (Max)	噪音 Noise (dB)	背隙 Backlash min. at No-load	重量 Motor Weight(g)
1 Stage	5	58	95%	25N. m	45N. m		≤15arcmin	600-800g
	10							
2 Stage	15	75	90%	40N. m	60N. m	<60dB	≤25arcmin	800-960g
	20							
	25							
	30							
	40							
	50							

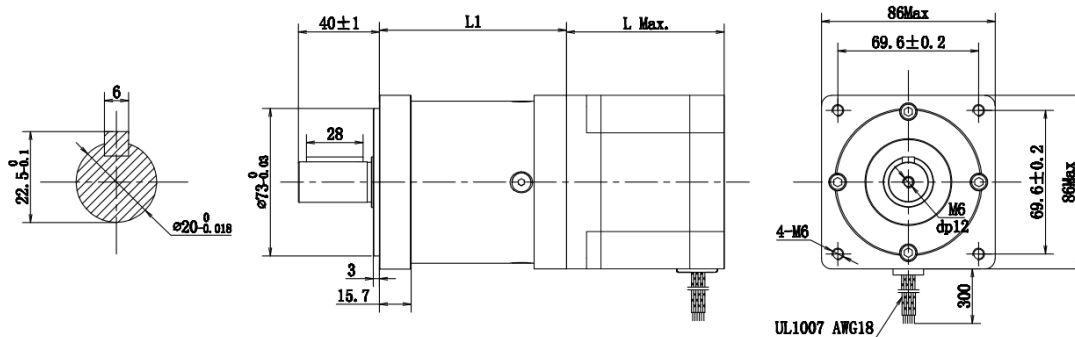
\*以上仅为代表性产品，派生产品可根据客户要求制作 \*Note: We can manufacture products according to customer's requirements.

- 运行温度范围 Operating temperature range: -20—+50℃
- 绝缘电阻 Insulation resistance: 100MΩ Min. (at DC500V)
- 绝缘强度 Dielectric strength: AC 500V (1min)
- 绝缘等级 Insulation Class: Class B(130℃)
- 允许温度上升 Permissible temperature rise: 80℃ Max. (绕组方式)

※NOTE: Do not allow the surface temperature of the motor case to rise above 90℃ during operation.

## Size 34(□86mm)行星减速箱 Round Planetary Gearbox

外形图 Dimensions(单位 Unit: mm)



### 特点 Feature:

- 体积小 small size
- 长寿命 long life
- 低成本 low cost
- 高精度 high precise
- 防护等级 IP44/IP65
- 低噪音 low noise

### 技术数据 Electrical Specifications:

减速比 Gear Ratio		长度 L1 Length(mm)	效率 Efficiency	额定转矩 Rated Torque	允许最大转矩 Permissible Torque (Max)	噪音 Noise (dB)	背隙 Backlash min. at No-load	重量 Motor Weight(g)
1 Stage	5	74	95%	50N.m	100N.m		$\leq 15 \text{ arcmin}$	3000g
	10							
2 Stage	15	93	90%	80N.m	160N.m	<60dB	$\leq 25 \text{ arcmin}$	4000g
	20							
	25							
	30							
	40							
	50							

\*以上仅为代表性产品，派生产品可根据客户要求制作 \*Note: We can manufacture products according to customer's requirements.

- 运行温度范围 Operating temperature range:  $-20 \sim +50^\circ\text{C}$
- 绝缘电阻 Insulation resistance:  $100\text{M}\Omega$  Min. (at DC500V)
- 绝缘强度 Dielectric strength: AC 500V (1min)
- 绝缘等级 Insulation Class: Class B( $130^\circ\text{C}$ )
- 允许温度上升 Permissible temperature rise:  $80^\circ\text{C}$  Max. (绕组方式)

※NOTE: Do not allow the surface temperature of the motor case to rise above  $90^\circ\text{C}$  during operation.