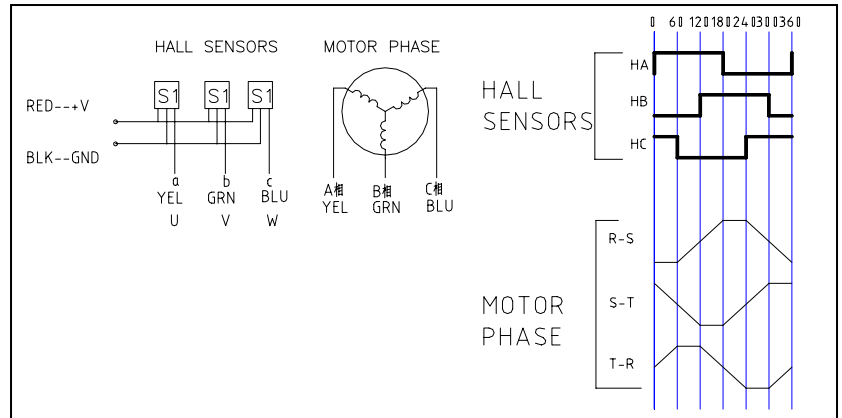
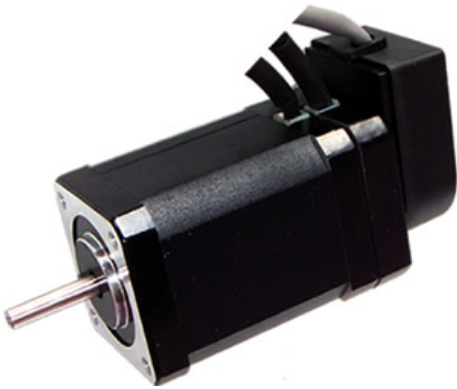


3 Phase Hi-Torque Brushless Servo Motor

42 series, 42x42mm Frame Size

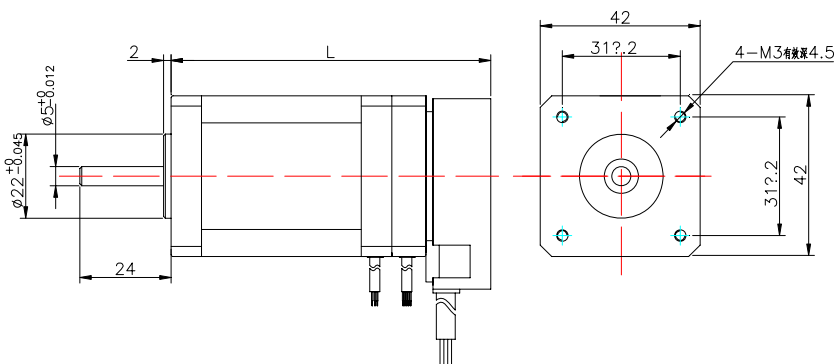


Electrical Specifications:

Model	Rated power	Rated voltage	Current	Number of poles	Rated speed	Torque @ rated speed	Peak torque	Moment constant	Length L	Weight	Encoder
	W	V DC	A		rpm	N.m	N.m	N.m/A	mm	Kg	P/R
42BLS65A-240-1000Z	28	24	1.56	8	3000	0.1	0.3	0.06	65	0.45	1000
42BLS85A-240-1000Z	63	24	3.44	8	3000	0.2	0.6	0.06	85	0.55	1000

*Note: We can also manufacture products according to customer's requirements.

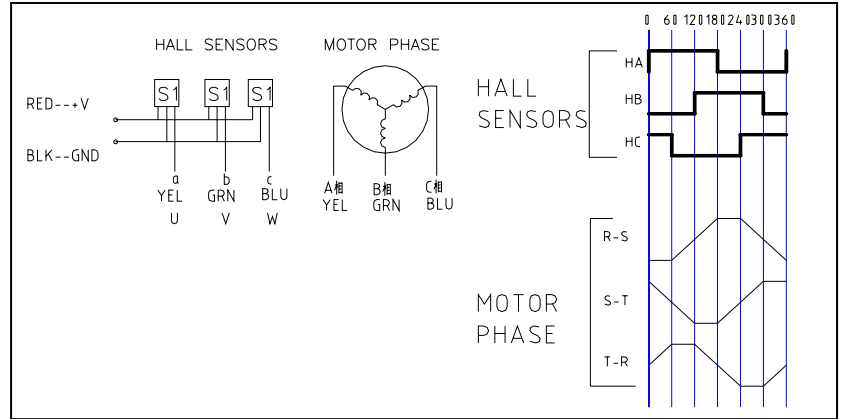
Dimensions: unit=mm



Model	Shaft Diameter D	Shaft Shape
42BLS60A-240	$\phi 5$	Slick
42BLS80A-240	$\phi 5$	Slick

3 Phase Hi-Torque Brushless Servo Motor

60 series, 61x61mm Frame Size

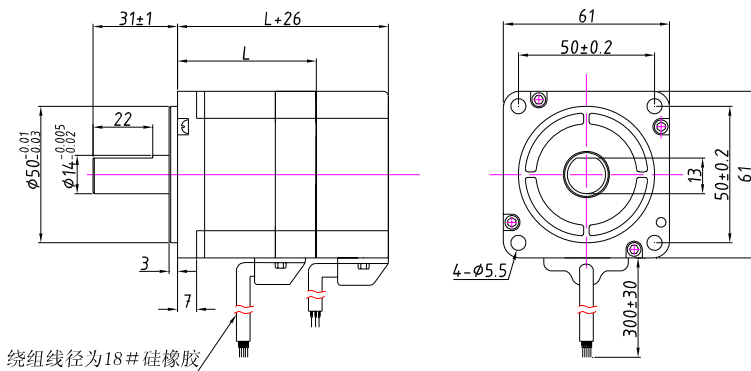


Electrical Specifications:

Model	Rated power	Rated voltage	Current	Number of poles	Rated speed	Torque @ rated speed	Peak torque	Moment constant	Length L	Weight	Encoder
	W	V DC	A		rpm	N.m	N.m	N.m/A	mm	Kg	P/R
60BLS50A-340-1000Z	78	36	2.89	8	3000	0.25	0.75	0.09	52	0.9	1000
60BLS70A-440-1000Z	156	48	4.33	8	3000	0.5	1.5	0.12	73	1.25	1000
60BLS90A-640-1000Z	235	310	1.16	8	3000	0.75	2.25	0.64	94	1.6	1000

*Note: We can also manufacture products according to customer's requirements.

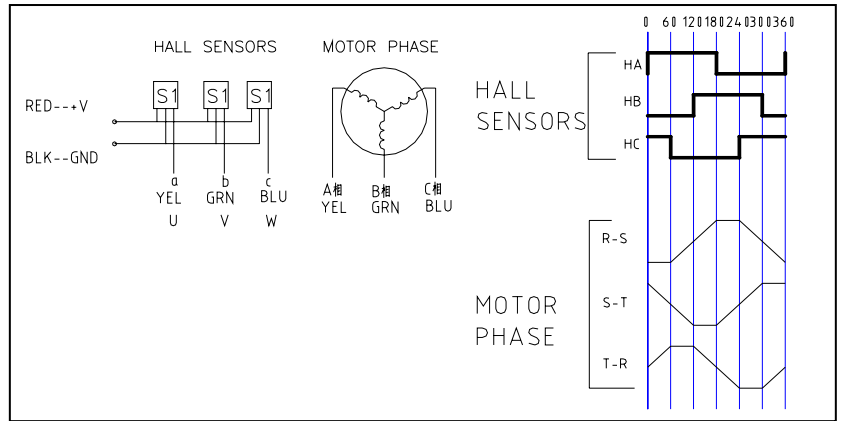
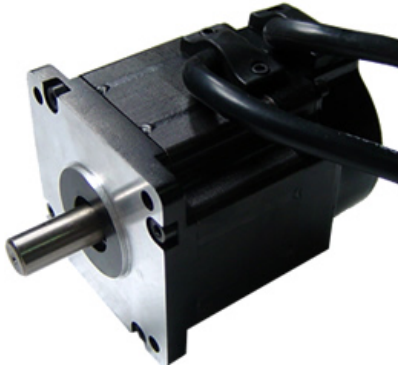
Dimensions: unit=mm



Model	Shaft Diameter D	Shaft Shape
60BLS50A-350	φ 14	Flat 1x25
60BLS70A-450	φ 14	Flat 1x25
60BLS90A-650	φ 14	Flat 1x25

3 Phase Hi-Torque Brushless Servo Motor

70 series, 70x70mm Frame Size

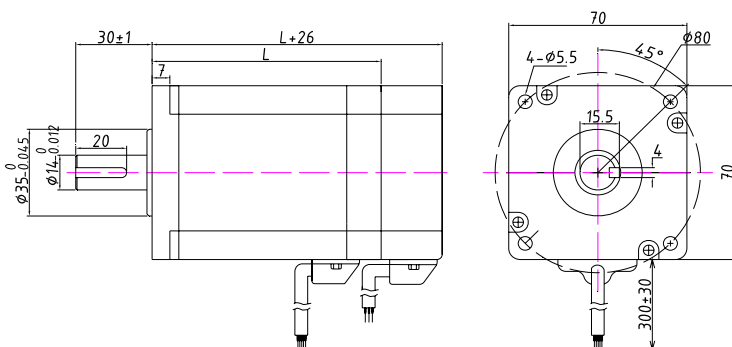


Electrical Specifications:

Model	Rated power	Rated voltage	Current	Number of poles	Rated speed	Torque @ rated speed	Peak torque	Moment constant	Length L	Weight	Encoder
	W	V DC	A		rpm	N.m	N.m	N.m/A	mm	Kg	P/R
70BLS60A-340-1000Z	156	36	5.78	8	3000	0.5	1.5	0.09	60	1.3	1000
70BLS90A-640-1000Z	313	310	1.44	8	3000	1.0	3.0	0.69	90	2.08	1000

*Note: We can also manufacture products according to customer's requirements.

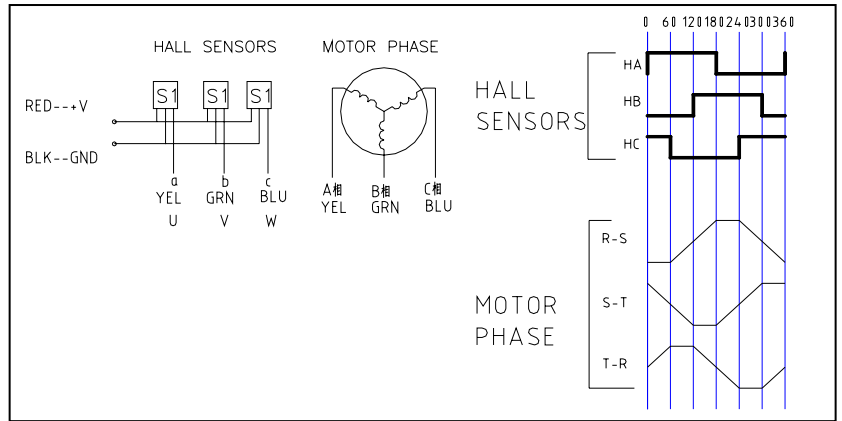
Dimensions: unit=mm



Model	Shaft Diameter D	Shaft Shape
70BLS60A-340	φ 12	Flat 1x25
70BLS90A-640	φ 14	Key 4x20

3 Phase Hi-Torque Brushless Servo Motor

90 series, 86x86mm Frame Size

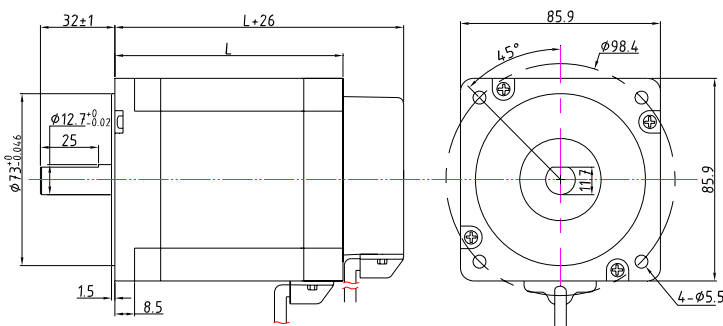


Electrical Specifications:

Model	Rated power	Rated voltage	Current	Number of poles	Rated speed	Torque @ rated speed	Peak torque	Moment constant	Length L	Weight	Encoder
	W	V DC	A		rpm	N.m	N.m	N.m/A	mm	Kg	P/R
90BLS70A-640-1000Z	220	310	0.94	8	3000	0.7	2.1	0.74	71	1.85	1000
90BLS100A-640-1000Z	440	310	1.89	8	3000	1.4	4.2	0.74	100	2.6	1000
90BLS125A-640-1000Z	660	310	2.83	8	3000	2.1	6.3	0.74	125	4	1000

*Note: We can also manufacture products according to customer's requirements.

Dimensions: unit=mm



Model	Shaft Diameter D	Shaft Shape
90BLS70A-640	φ 12.7	Flat 1x25
90BLS100A-640	φ 12.7	Flat 1x25
90BLS125A-640	φ 14	Flat 1x25

Wiring Sheet

	Encoder Lead Wires														Motor Lead Wires		
	1	2	3	4	5	6	7	8	9	10	11	12	13	14	1	2	3
COLOR	黑 BLK	红 RED	黄 YEL	黄黑 YEL / BLK	绿 GRN	绿黑 GRN / BLK	白 WHT	白黑 WHT / BLK	棕 BRN	棕黑 BRN / BLK	灰 GRY	灰黑 GRY / BLK	橙 ORG	橙黑 ORG / BLK	黄 YEL	绿 GRN	蓝 BLU
SIGNAL	GND	+5 VDC	U+	U-	V+	V-	W+	W-	A+	A-	B+	B-	Z+	Z-	R	S	T